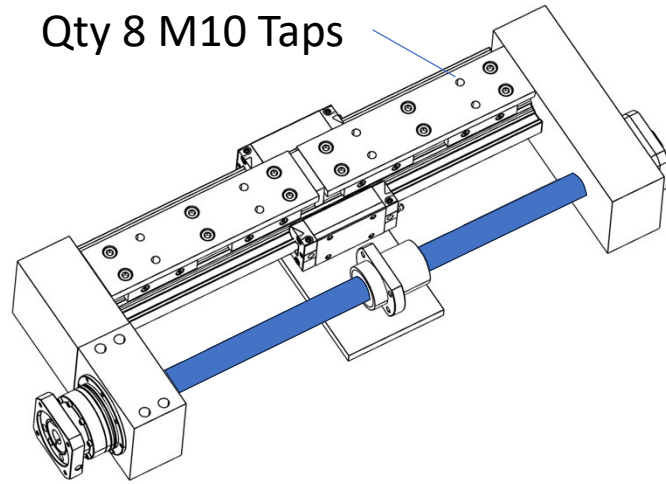




"S" Tooth

Featured Product:
Heavy Base Ball Screw Actuator
with 2 Guide Rails

Qty 8 M10 Taps



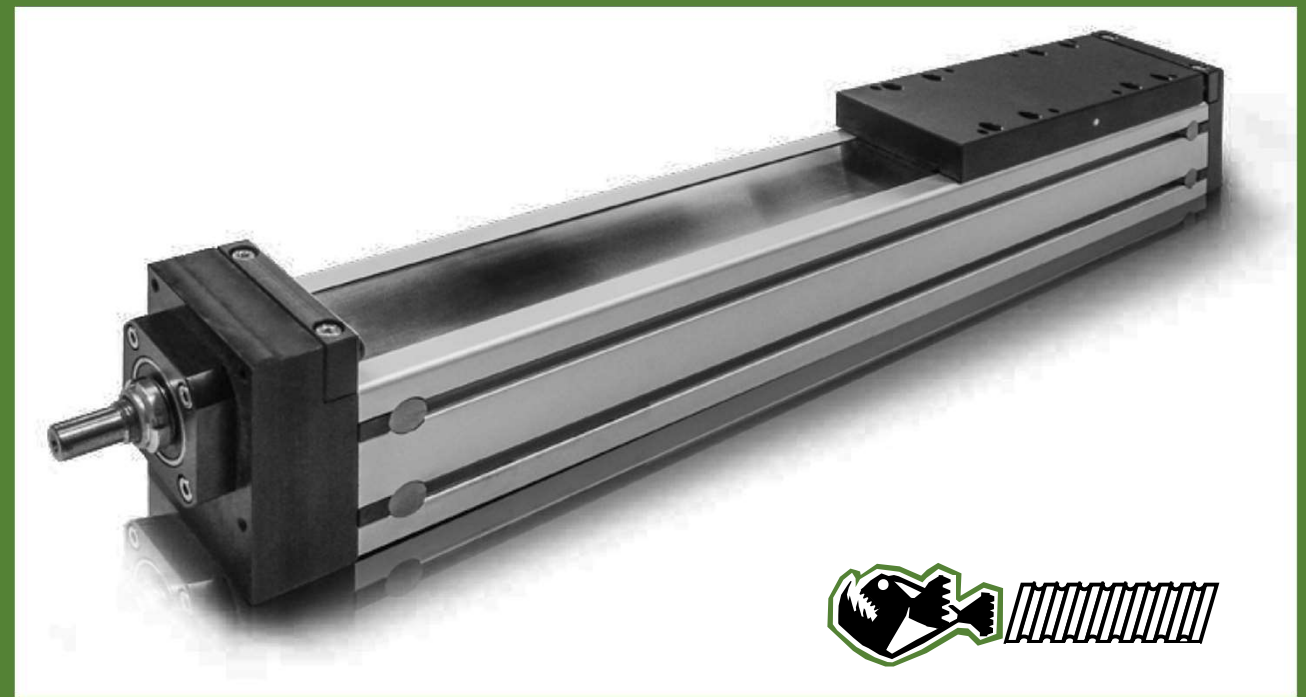
Fangtooth Inc.
11790 Mayfield St
Livonia, MI 48150
Ph 248-798-4877

FANGTOOTH INC **Guided Rack & Pinion Axis**
IDEAS WITH TEETH **Gantries / Lifts / Configured Systems**
PRECISION MECHANICAL DRIVES **Gearboxes & Couplings**
FOR FACTORY AUTOMATION AND **Ball Screw & Belt Drive Assemblies**
INDUSTRIAL MACHINERY **High Powered Screw Jacks**

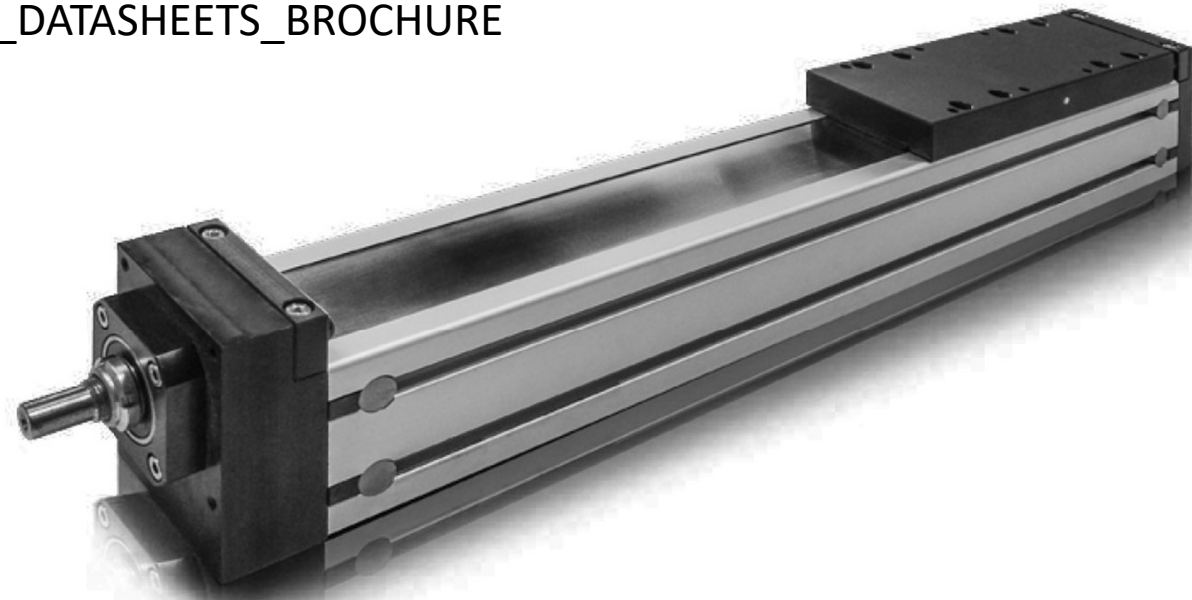
www.fangtooth-linear.com



FINGLIDE Narrow and Wide Ball Screw Linear Actuators Technical Information

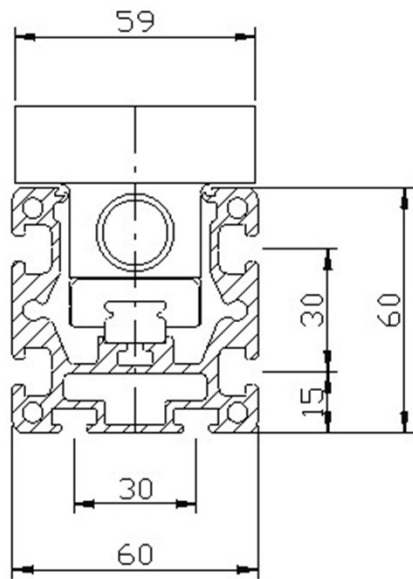


www.fangtooth-linear.com

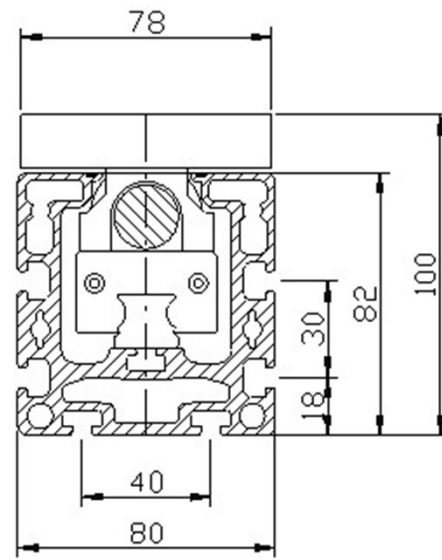


Single Rail

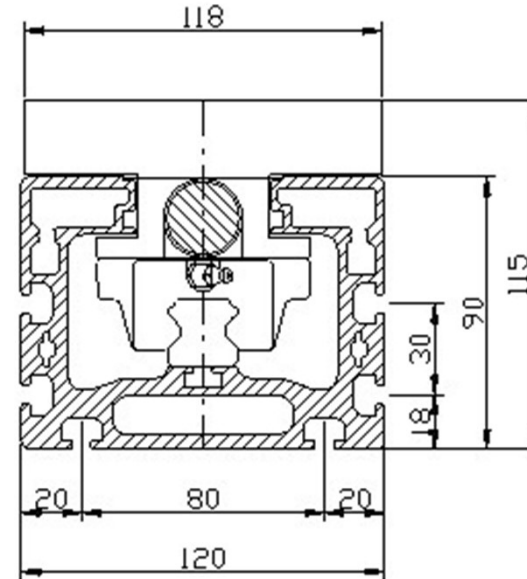
FINGLIDE "N" Series Narrow



Size 060N



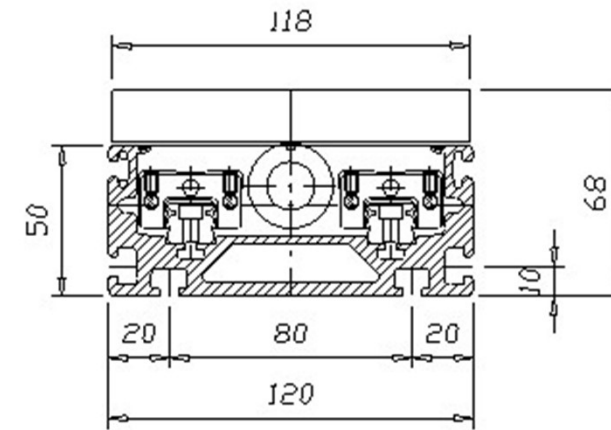
Size 080N



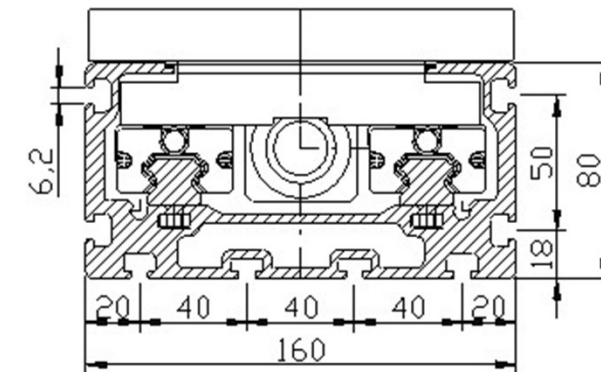
Size 120N

Dual Rail

FINGLIDE "W" Series Wide



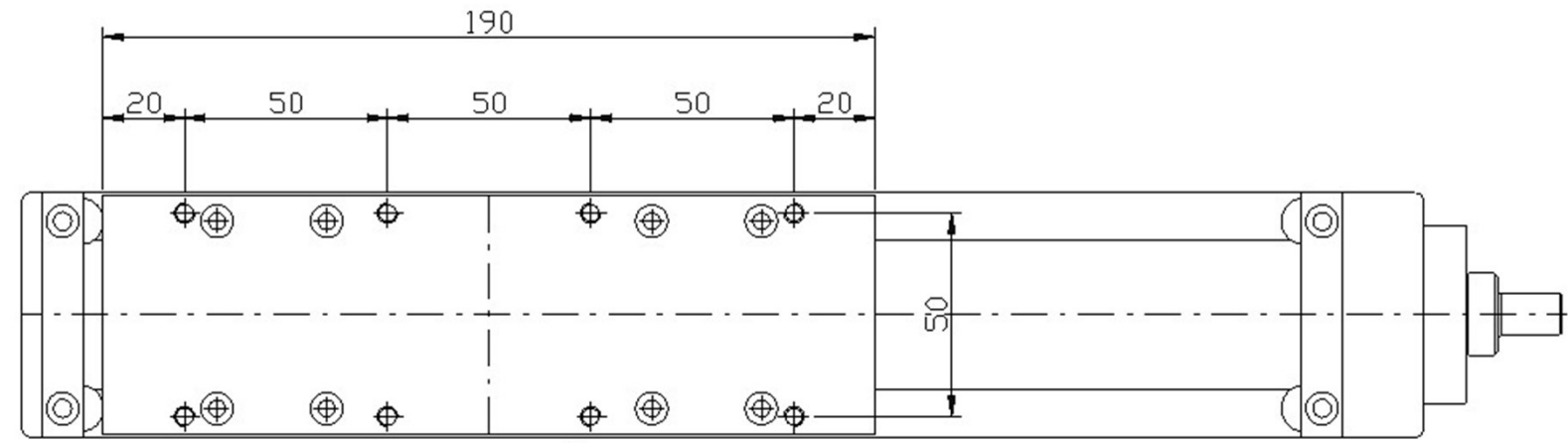
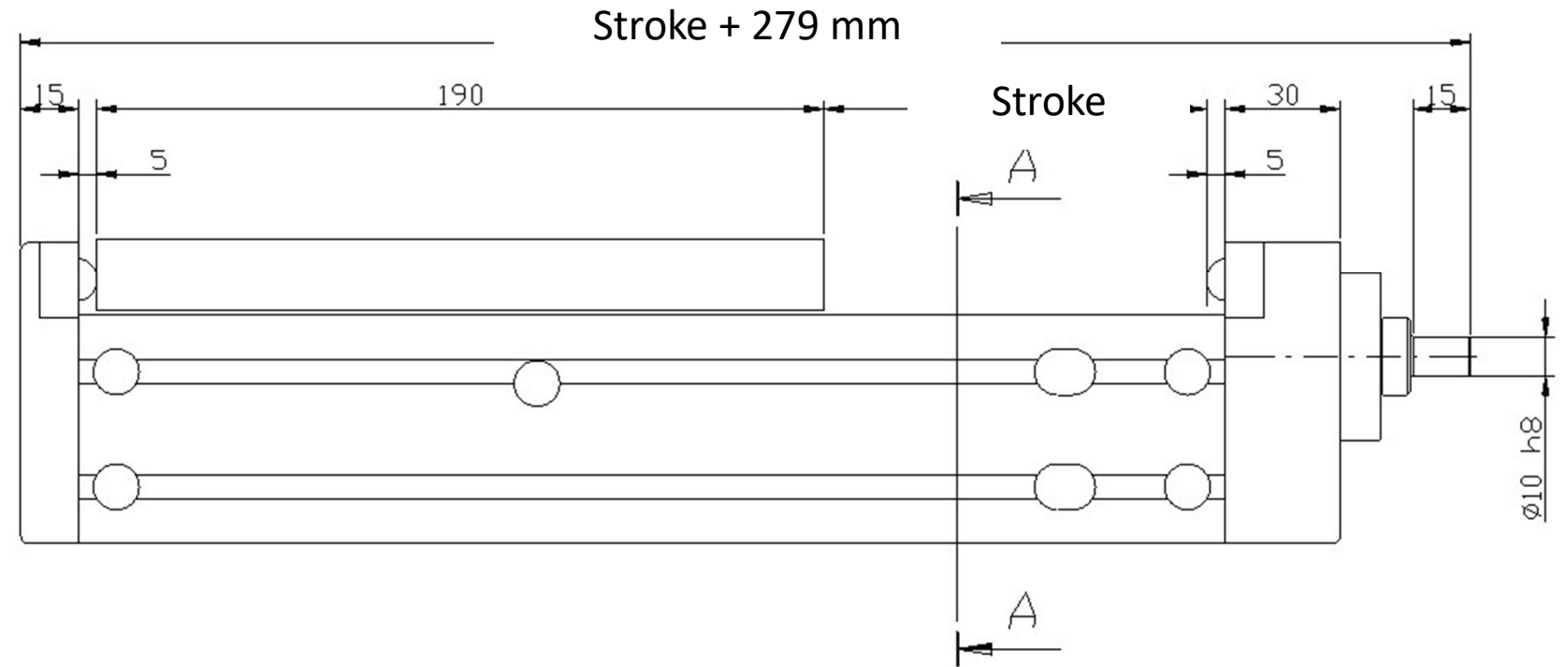
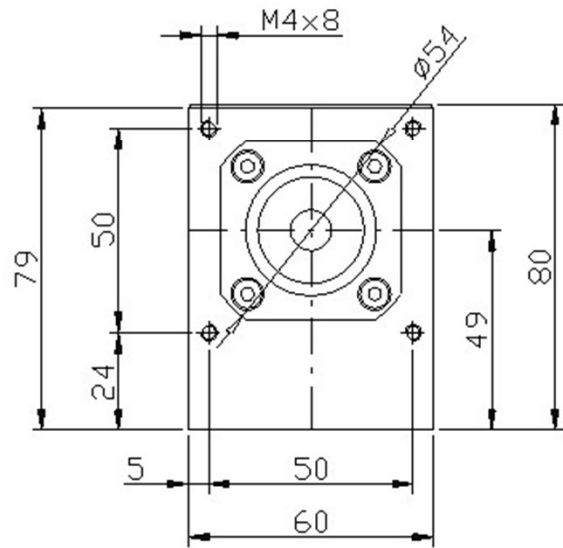
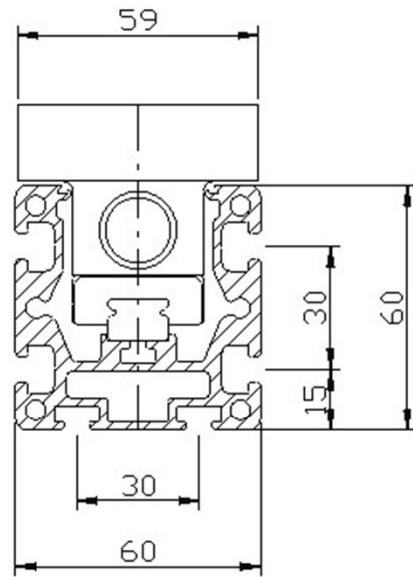
Size 120W



Size 160W

Size 060N
Narrow Series
Single Rail

Lead Options
5 mm
10 mm
16 mm

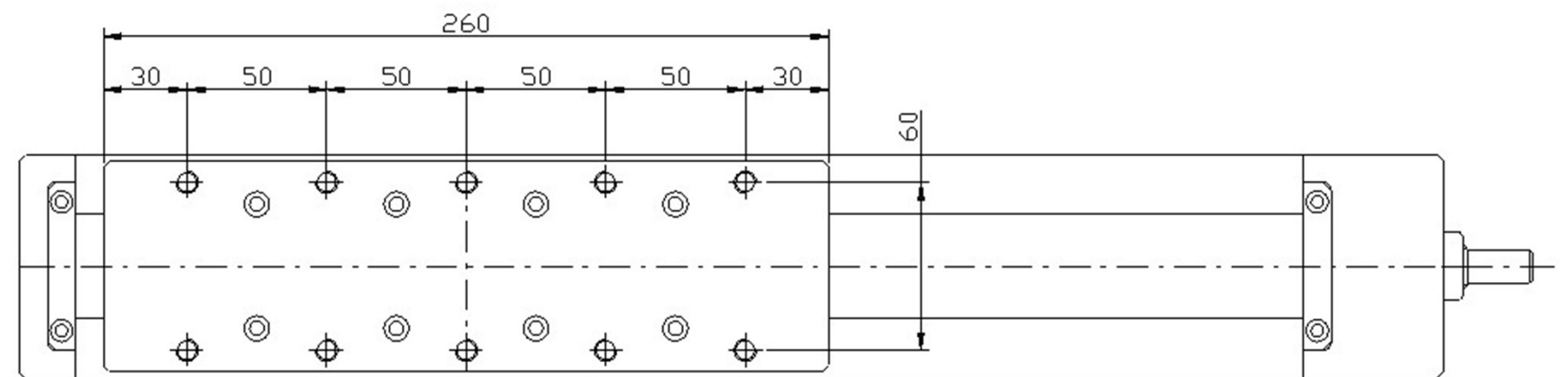
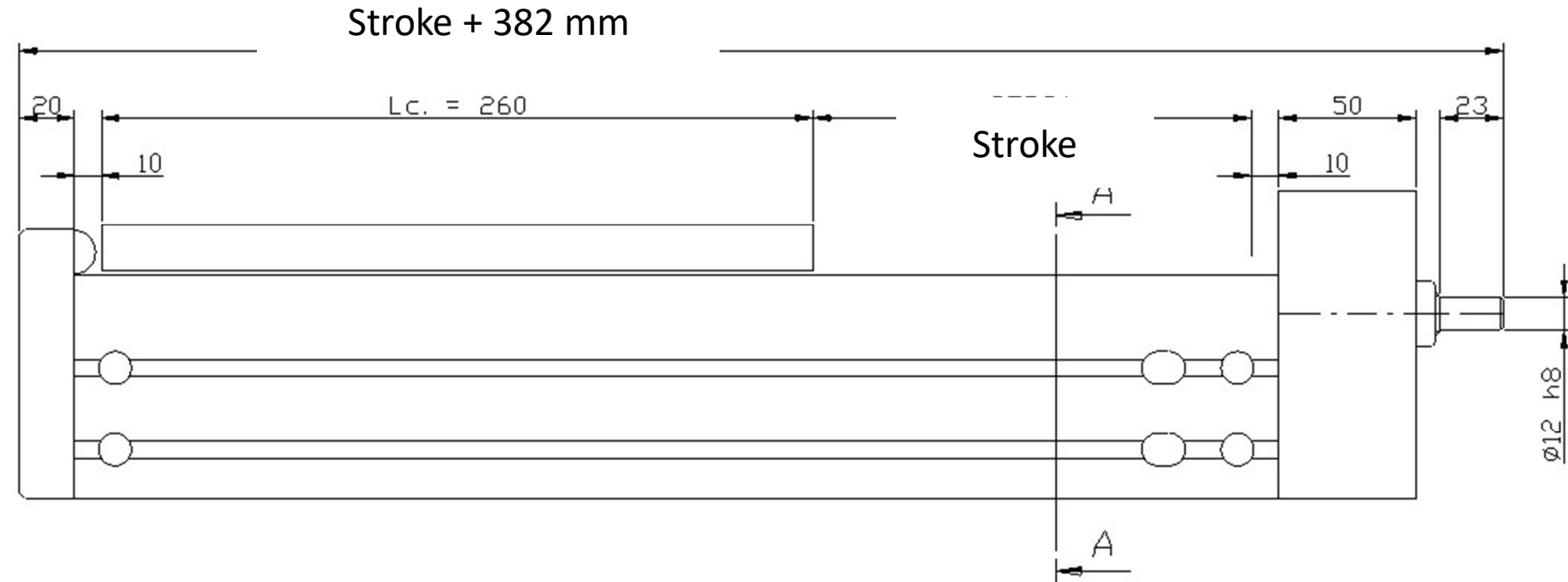
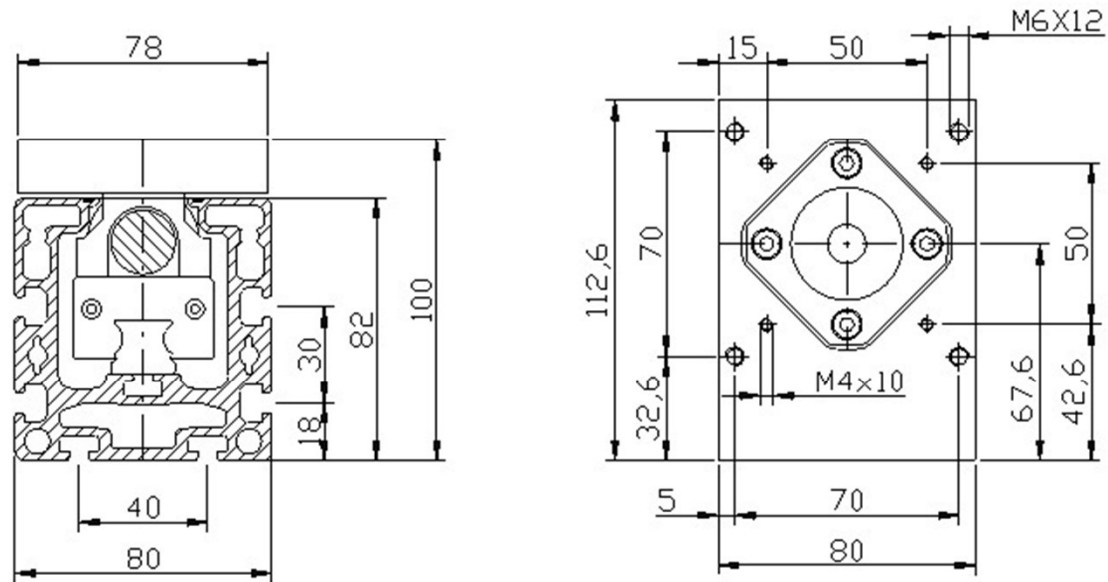


QTY 8 58 Taps

INSPIRE GREAT AUTOMATION

Size 080N
Narrow Series
Single Rail

Lead Options
 5 mm
 20 mm

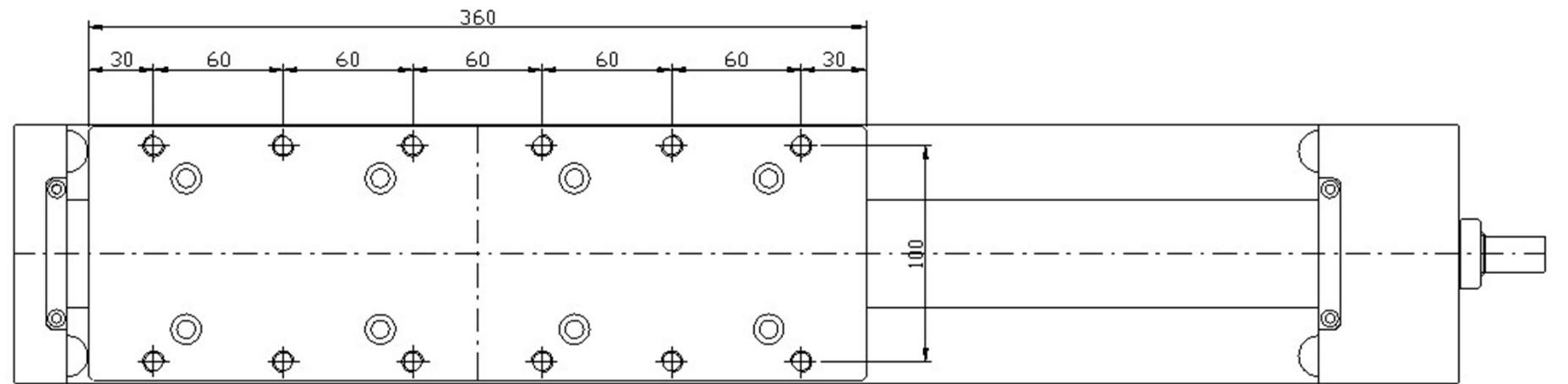
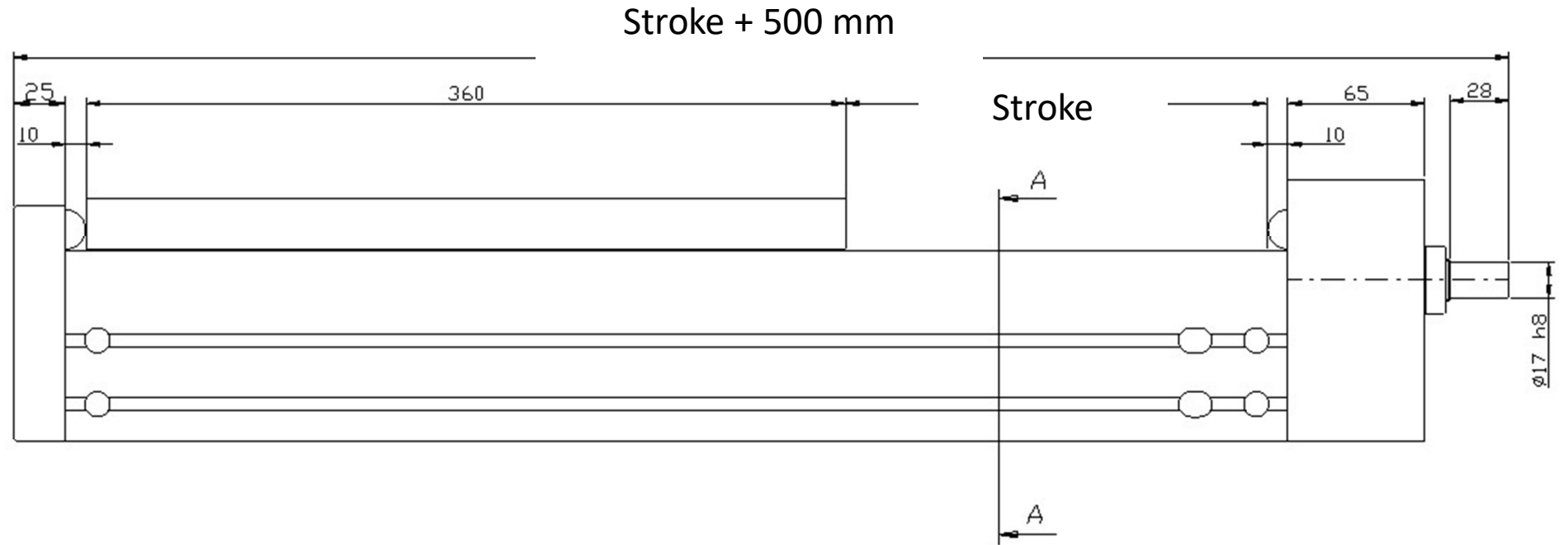
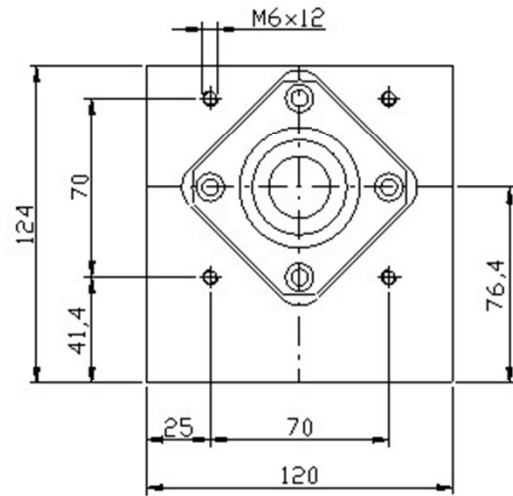
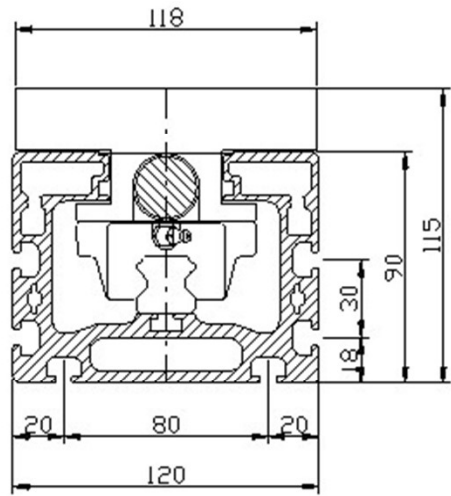


QTY 10 M8 Taps

INSPIRE GREAT AUTOMATION

Size 120N
Narrow Series
Single Rail

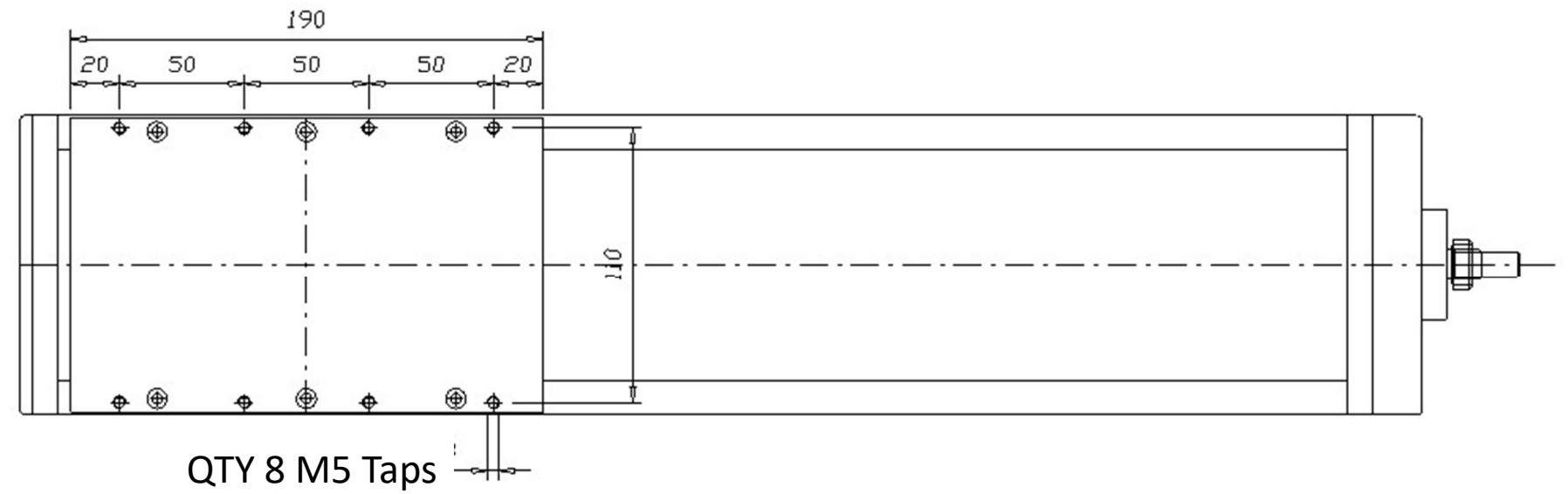
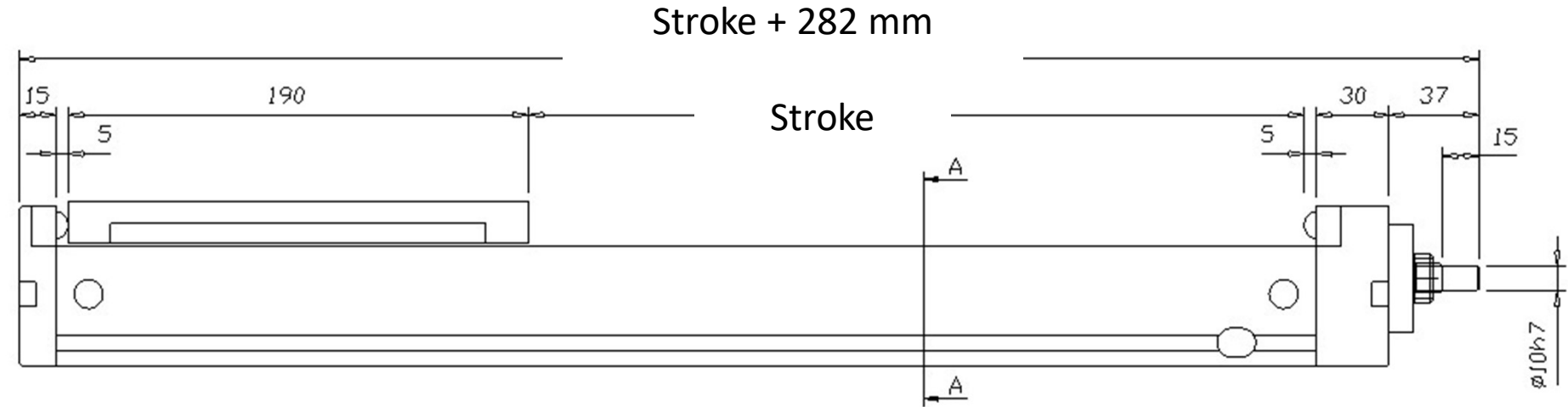
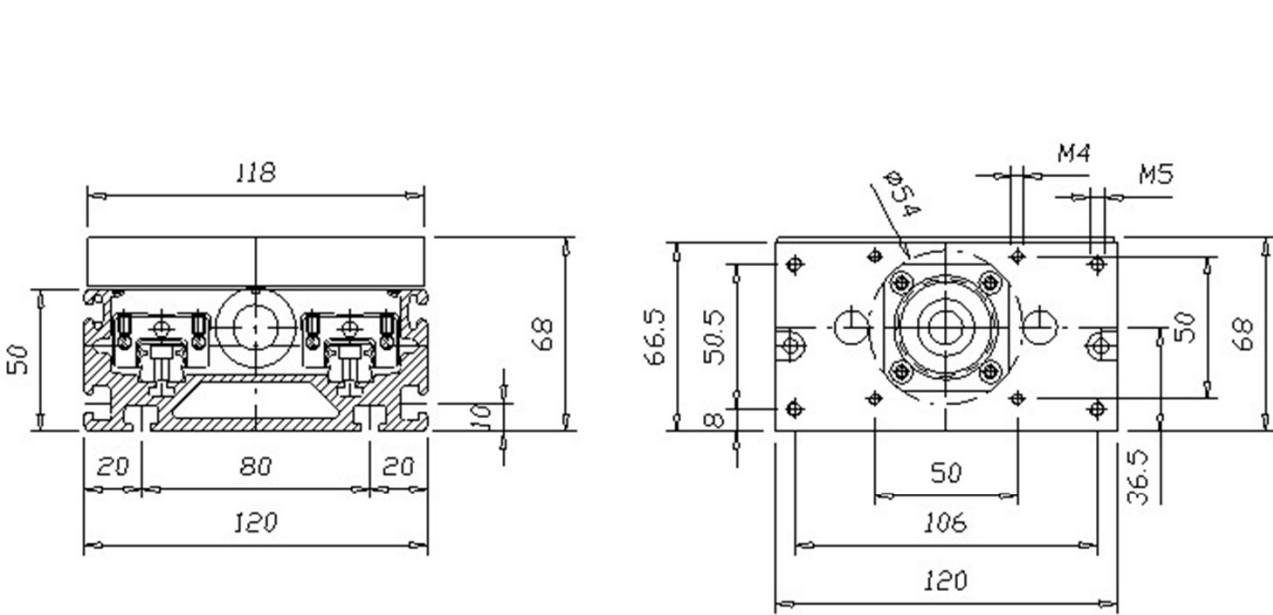
Lead Options
 5 mm
 10 mm
 25 mm

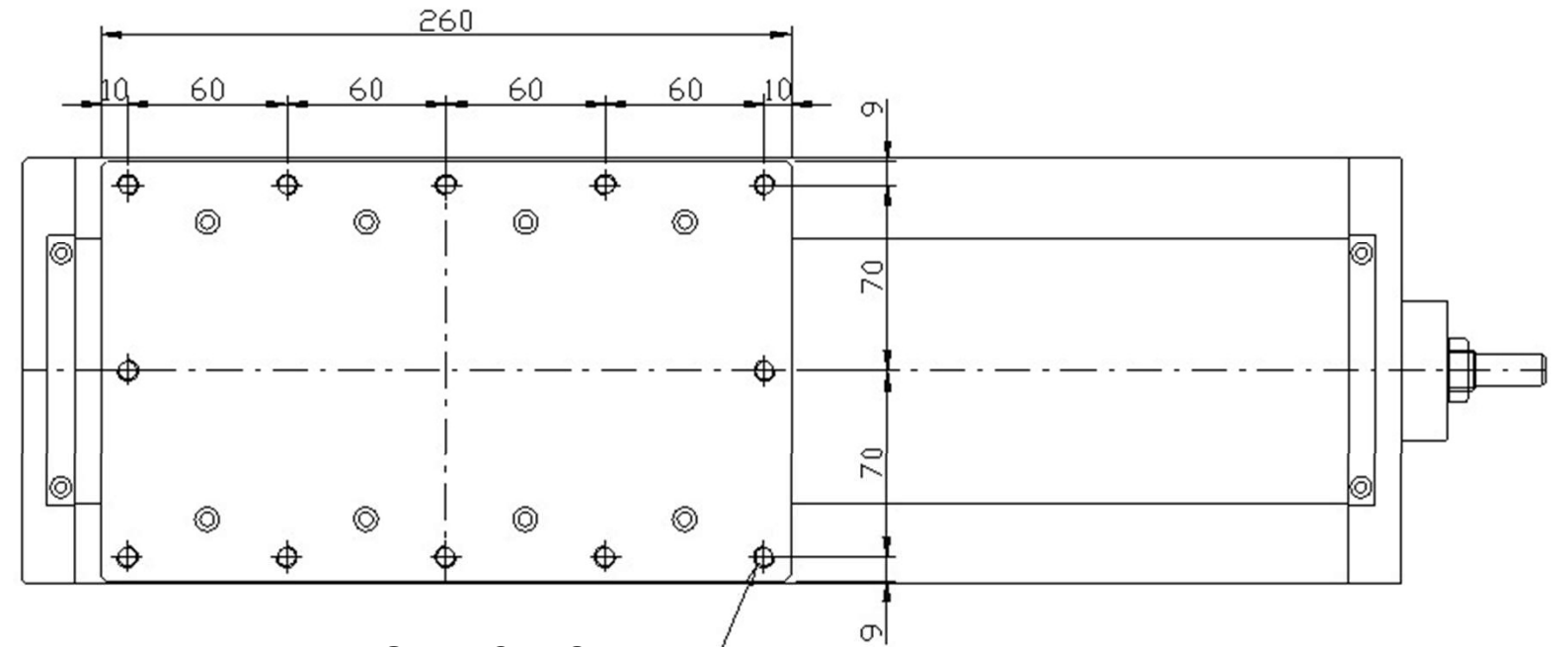
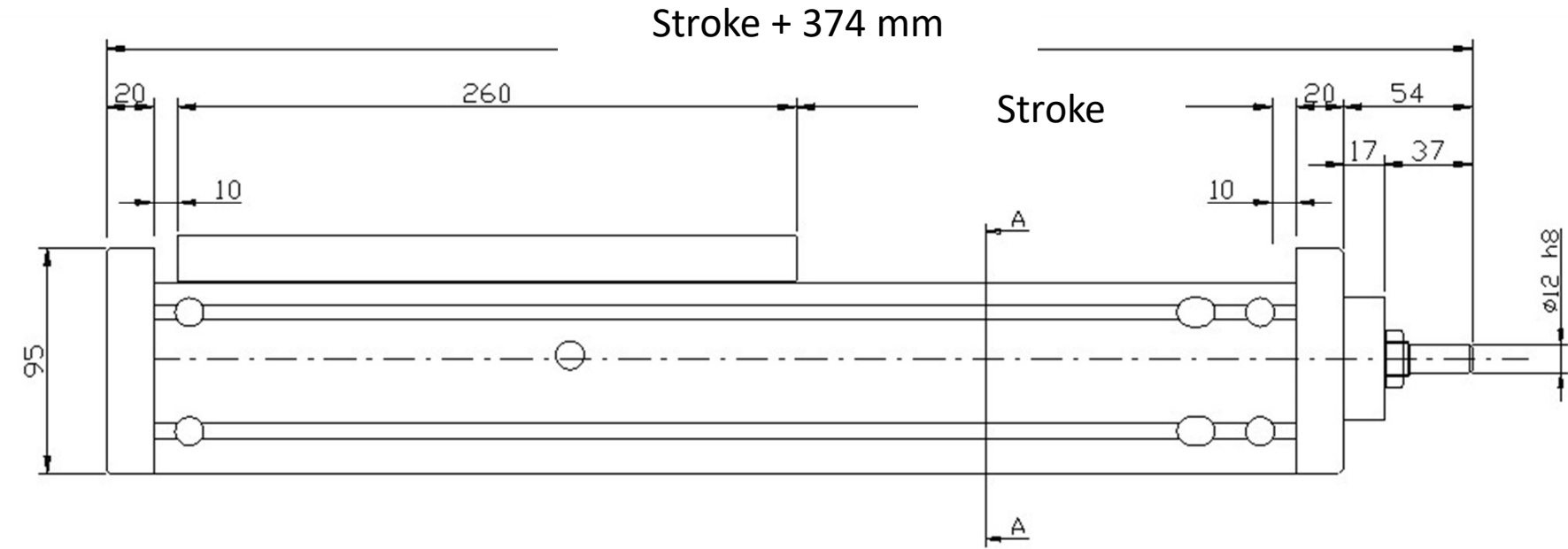
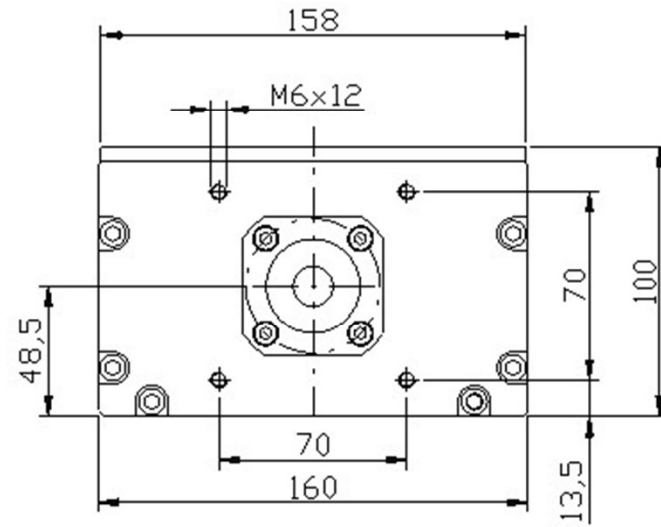
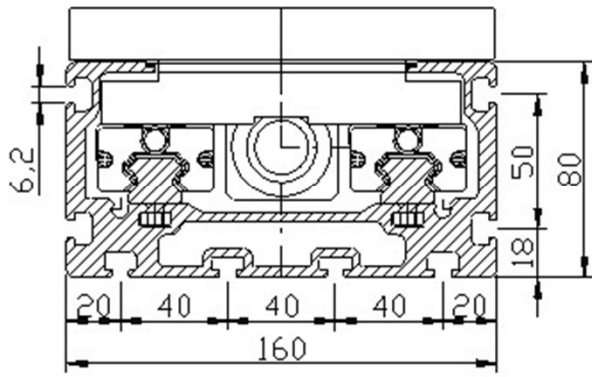


QTY 12 M10 Taps

Size 120W
Wide Series
Dual Rail

Lead Options
 5 mm
 10 mm
 16 mm





QTY 12 M8 Taps